

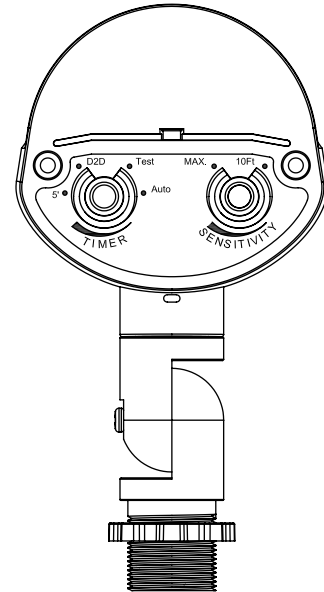
SPECIFICATION



PIR MOTION SENSOR WITH THREADED ARM

FEATURES

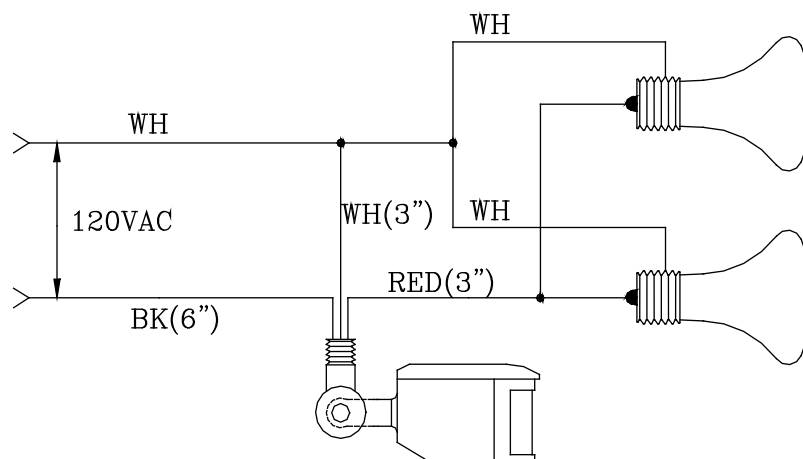
- Test Mode + Auto Mode ↔ Manual Override
- Continuous adjustments of the sensitivity from 10 ft. to 60 ft. with max. 180° detection range
- Continuous adjustments of the Shut off delay time from 10 Sec. to 300Sec .
- 8 hr Auto re-set Manual Override or re-set by flipping the switch within 3"
- LED Indicator will flash 1 second when sensor detect motions
- Plastic Enclosure in PC 5VA, UV Rating
- Test Mode: 5 sec on when motion detected



ELECTRICAL CHARACTERISTICS

DESCRIPTIONS	SPECIFICATIONS
Input power	120 VAC±10%, 60Hz
Load Rating	Max. 500W PAR 38 or Halogen lamp Or Max 64W LED Driver
Operation LUX	30~150 Lux
Power Consumption	Max. 0.5 Watt when stand-by
Operation Temp	- 20°C ~ 50°C

WIRING DIAGRAM



Wires in 1015 18AWG 105-600V